

Gathers Made to order service-

Please return byfax to 01622 711418 or by email to technical@fluesupplies.com.

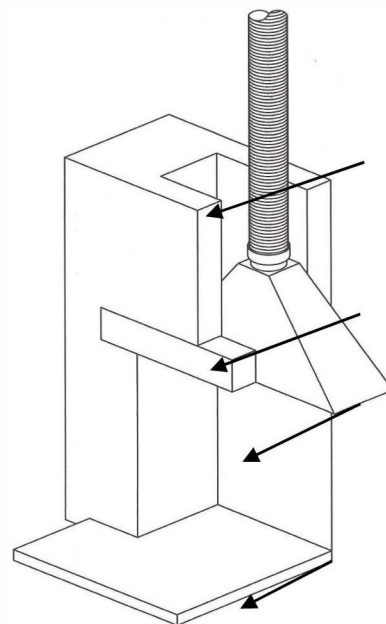
Flue Supplies Offers a quick 5-10 working day service for making gathers to your dimensions and specifications

Specifications

At present there is no British Standard Specification for gathers to be used with flexible flue liners. However, it is generally considered good practice to produce gathers in stainless steel with the angle of the gather being not more than 45 degrees from the vertical.

- Materials: 316 stainless steel (usually for solid fuel)
- Mesh skirt Optional 50mm deep stainless steel mesh welded onto bottom of the gather to assist fixing

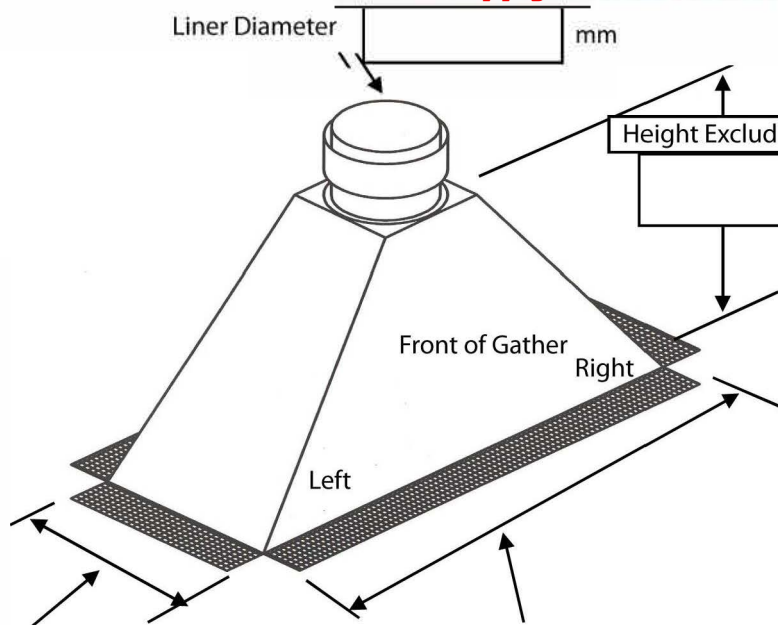
PLEASE NOTE: ONCE PAYMENT HAS BEEN MADE THIS ORDER CANNOT BE RETURNED OR CANCELLED AS THIS IS A BESPOKE MADE TO ORDER ITEM.



Please fill out details and dimensions in boxes, then send to Flue Supplies to obtain a quote

Make sure the dimensions you give include a tolerance for installing the gather

Please supply all measurements in mm



Specification requests - State yes or no

Material 316 Stainless

Please tick appropriate box

Mesh required YES NO

Special requests

Dimensions at sides

Left hand side mm
 Right hand side mm

Dimensions Front and Back

Front mm
 Back mm

Reply to (name) _____ Tel. No. _____

Contact details _____

PLEASE SIGN HERE TO CONFIRM YOUR ORDER

Send Form

Flue Supplies UK Chimney Specialists, Unit 6-7, Link 20, Bellingham Way, Larkfield, Aylesford, Kent. ME20 7HD. Tel: 0344 800 6586. Email: info@fluesupplies.com

FOR OFFICE USE ONLY
 PRICE
 APPROVED BY

DATE
 TIME
 SALES ORDER NUMBER